

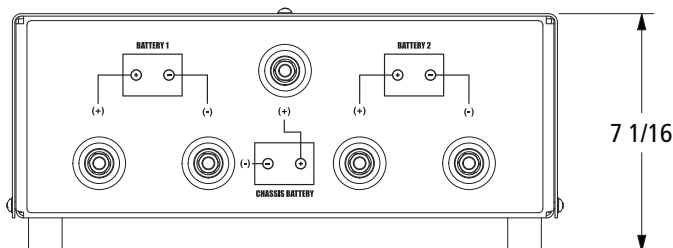
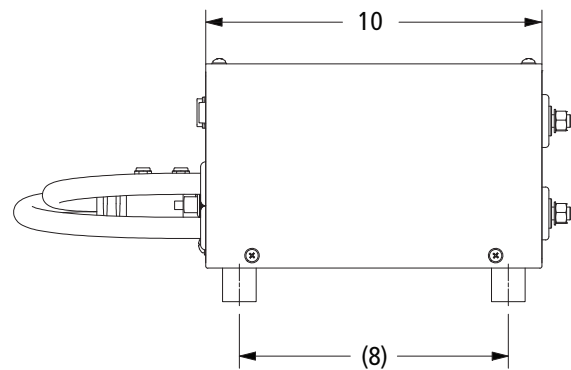
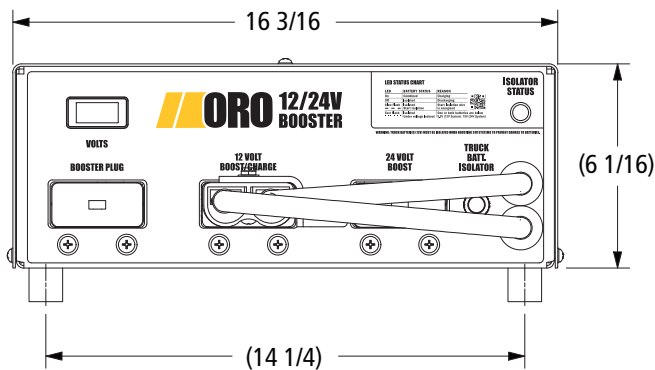


	DESCRIPTION	DIMENSIONS	PART NO.
<b>BOOSTING SYSTEM</b>	12/24 VOLT BOOSTER, USES 2 OR 4 AUXILIARY JUMP STARTING BATTERIES (BATTERIES AND BATTERY TRAY SOLD SEPARATELY); INCLUDES BOOSTER, SAFETY GUARD AND OPERATION DECAL	17"W X 11" D X 7"H 40 LBS. (W/O BATTERIES OR CABLES)	750-100-500
<b>BOOSTING CABLES • 3 OPTIONS AVAILABLE</b>	10 FT 2/0 CABLE WITH 1,000 AMP ALLIGATOR CLAMPS. COVERED IN A WEAR RESISTANT NYLON SLEEVE	10' LONG	750-100-510
	20 FT BOOSTER CABLE EXTENSION	20' LONG	750-100-509
	10 FT BOOSTER CABLE EXTENSION WITH CAT PLUG	10' LONG	750-100-511

With its small footprint, the **ORO** Booster, used for boosting and charging 12 and 24 volt equipment, can be incorporated into any setup. It utilizes independent boosting/charging batteries that are isolated from the chassis during use and the chassis alternator keeps the batteries charged, so it's always ready for the next boosting cycle.



**12/24V BOOSTING;  
READY WHEN YOU ARE.**



**ORO DESIGN**  
& Manufacturing

3 Small Crescent  
Oro-Medonte, ON L0L 1T0  
(705) 327-1567

**WWW.OREDIGN.CA**